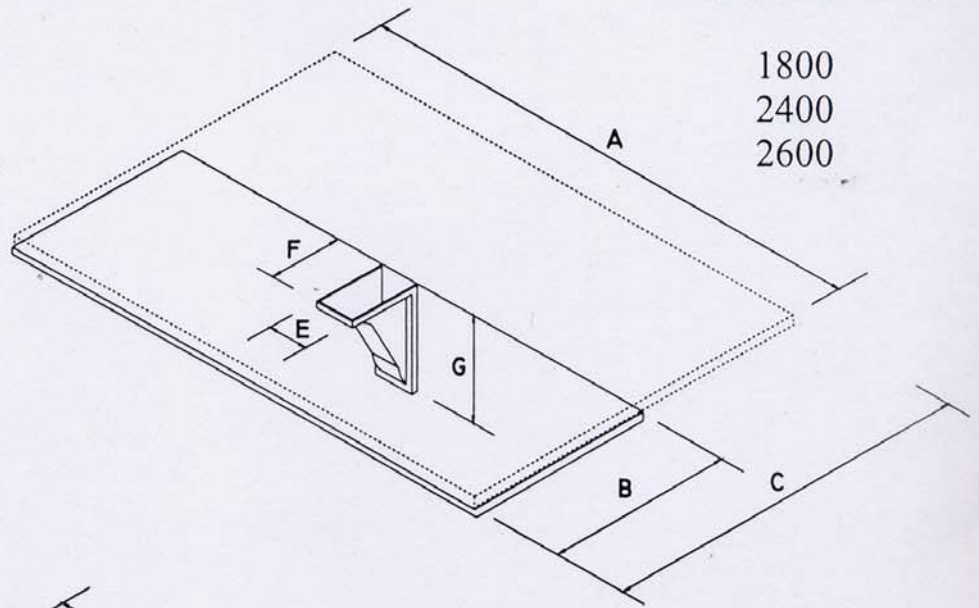


# BASE CILLS

## Construction

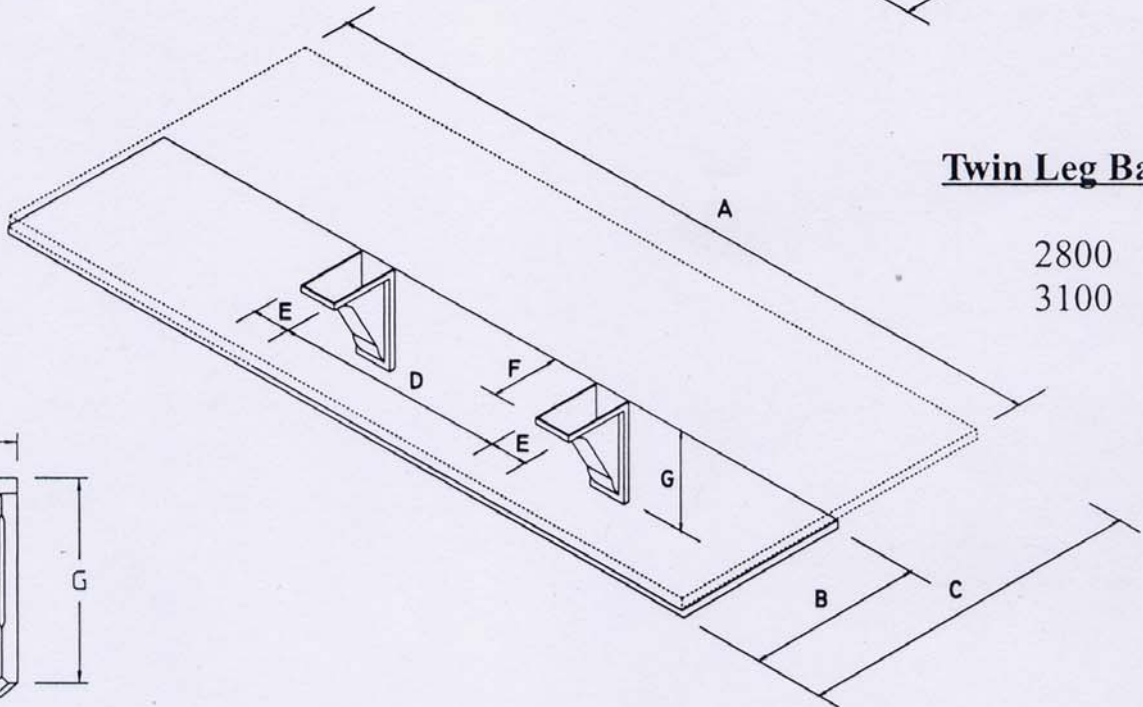
Our base cills comprise mainly a piece of 12mm marine ply sized AxC. This is bonded onto a fibreglass sheet which incorporates pre-formed gallows bracket(s) and serves as the external face. The internal face is unfinished so it would be necessary to fit a cillboard over the top of it.

## Single Leg Bases

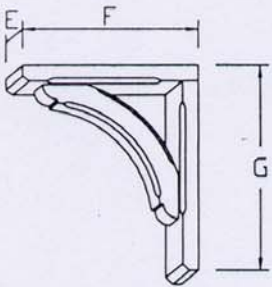


1800  
2400  
2600

## Twin Leg Bases



2800  
3100



Base Type	Leg Type	A	B	C	D	E	F	G
1800	1800	2440	300	600	-	155	150	300
2400	2400	2440	300	600	-	155	230	300
2600	2400	3060	300	760	-	155	230	300
2800	2400	3060	400	760	840	155	230	300
3100	3100	3260	500	900	1083	170	300	391
3400	3100	3400	500	900	1083	170	300	391
-	Timber	-	-	-	-	70	505	595

### Please Note!

All leg brackets can also be supplied separately to the bases, please quote the "Leg Type" reference when ordering.